

## MULTI-FUNCTION SPACER AND REMOVAL TOOL

### Field of Disclosure

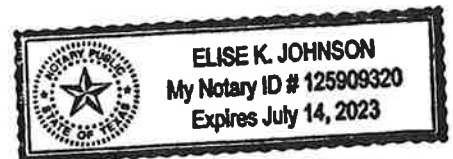
The present disclosure relates to a roofing installation system, and more particularly to tool for use in a roofing installation system

### Disclosure

According to embodiments described herein, a multi-function tool may function as a spacer tool that assists in the layout of roof battens by calibrating the required distance between adjacent battens, and as a removal tool for disengaging fixed panels from a roof or from each other.

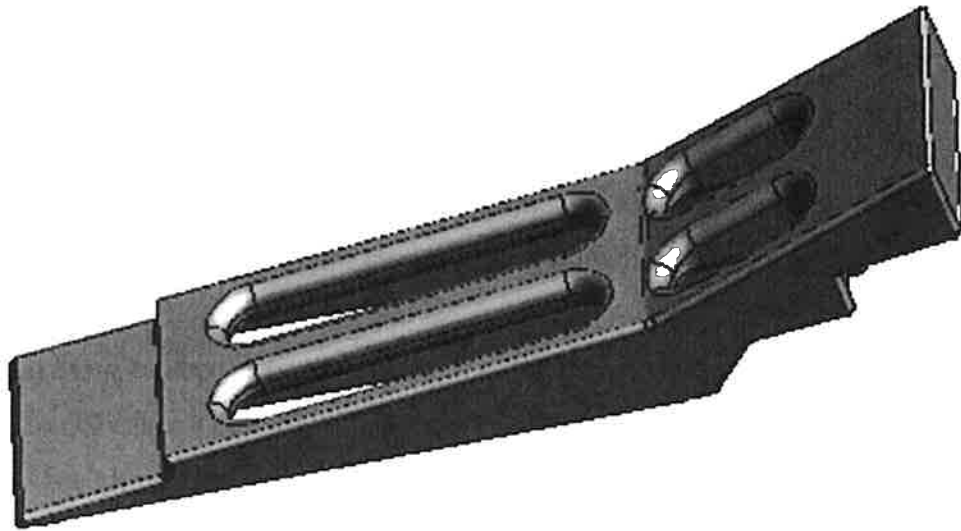
When acting as a spacer device, the multifunction tool calibrates the required space between adjacent battens by ensuring they are separated by a proper distance so that the top edge of a tile being installed as part of the roofing system is at the correct location to properly engage, or snap into, the mounting foot of an adjacent batten. The tool may be specifically designed with alignment elements that specifically engage the adjacent battens for different systems. According to particular embodiments, the tool may have unique features on either or both sides of the tool that can hook on to a batten that is already affixed to a roof and that can hold the loose batten in the correct alignment while it is being installed. The tool may also have prongs at the upper end to ensure proper alignment with the mounting foot.

When used as a removal device, the multifunction tool acts as a lever to safely disengage installed panels from the roofing system. An up-roof edge of the tool is designed to slide underneath a fixed panel that has previously been snapped into place on the roof. Pressure may then be applied to the butt end of the tool, resulting in an upward lever arm action at the up-roof edge of the tool that removes the snap engagement of the mounting foot attached to each panel. The touch point of the tool with the lower panel aligns directly over the batten below to avoid damage to the lower panel. The butt end of the tool may have a rubber or soft cover where it touches the lower panel to avoid damage to the panel when the tool is being used as a removal device.



*Elise K. Johnson*  
05-26-2022

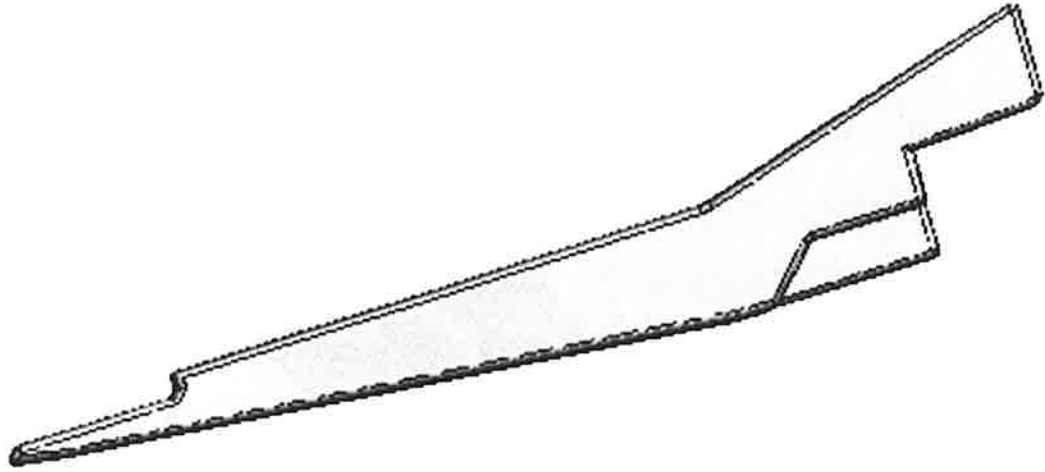
Figures



**FIG. 1**

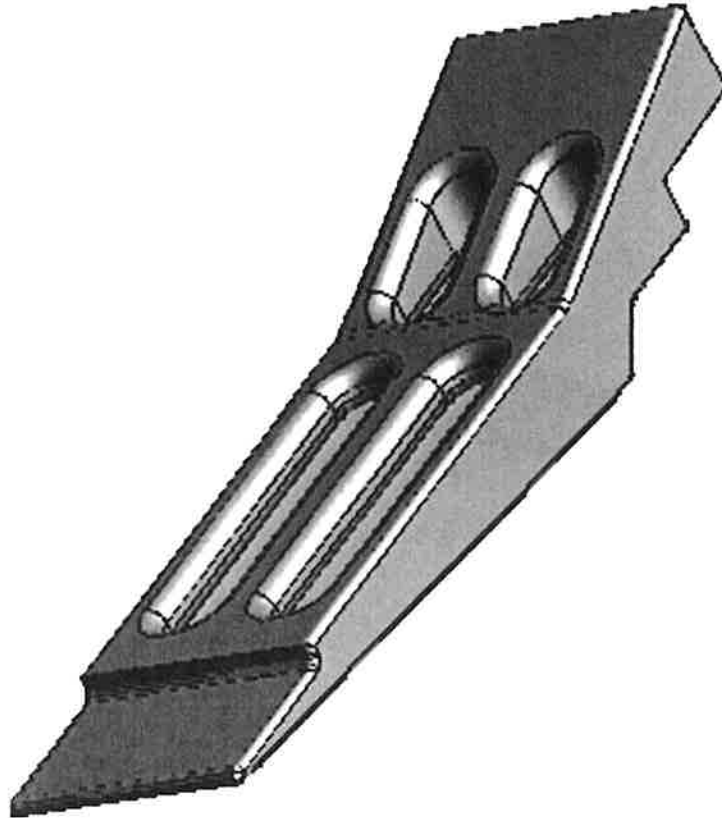
Fig. 1 above includes an illustration of the multifunction tool showing a perspective view of the tool.

U.S. PATENT OFFICE  
2021/0341/PUB  
2021/0341/PUB  
2021/0341/PUB



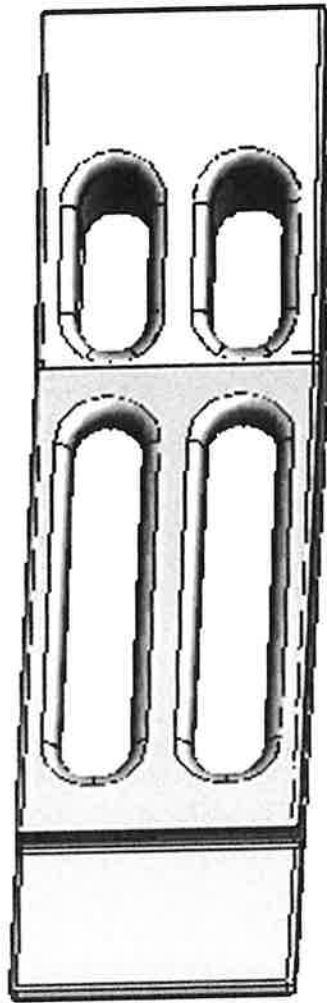
**FIG. 2**

Fig. 2 above includes an illustration of the multifunction tool showing a side view of the tool.



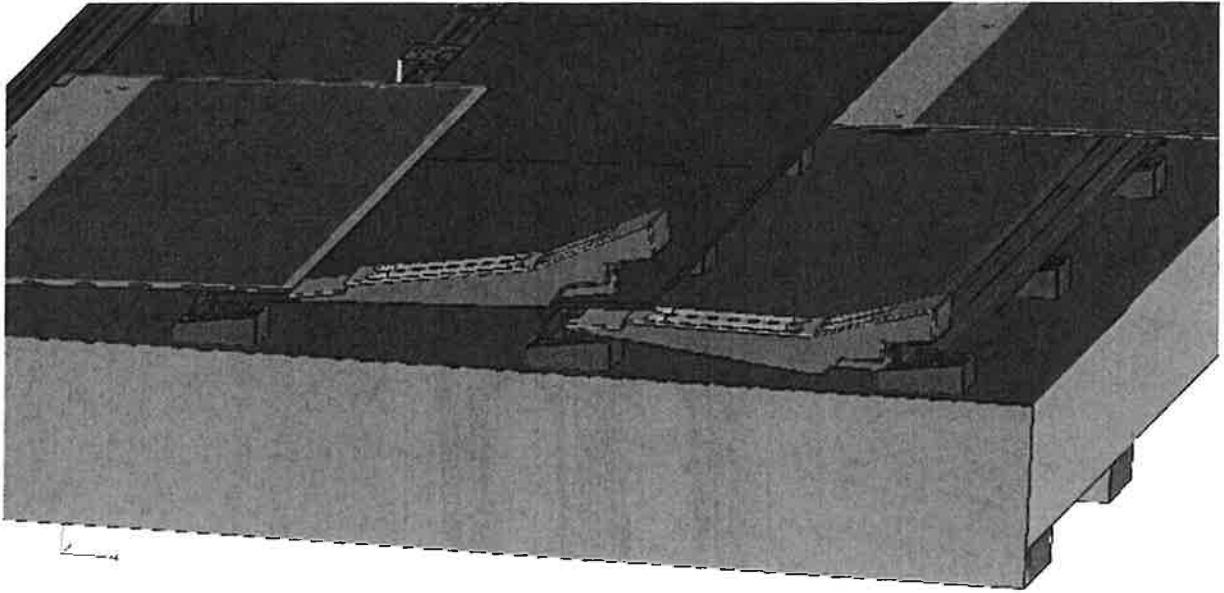
**FIG. 3**

Fig. 3 above includes an illustration of the multifunction tool showing another perspective view of the tool.



**FIG. 4**

Fig. 4 above includes an illustration of the multifunction tool showing a top down side perspective.



**FIG. 5**

Fig. 5 above includes an illustration of the multifunction tool in use as a spacer tool and as a removal tool.